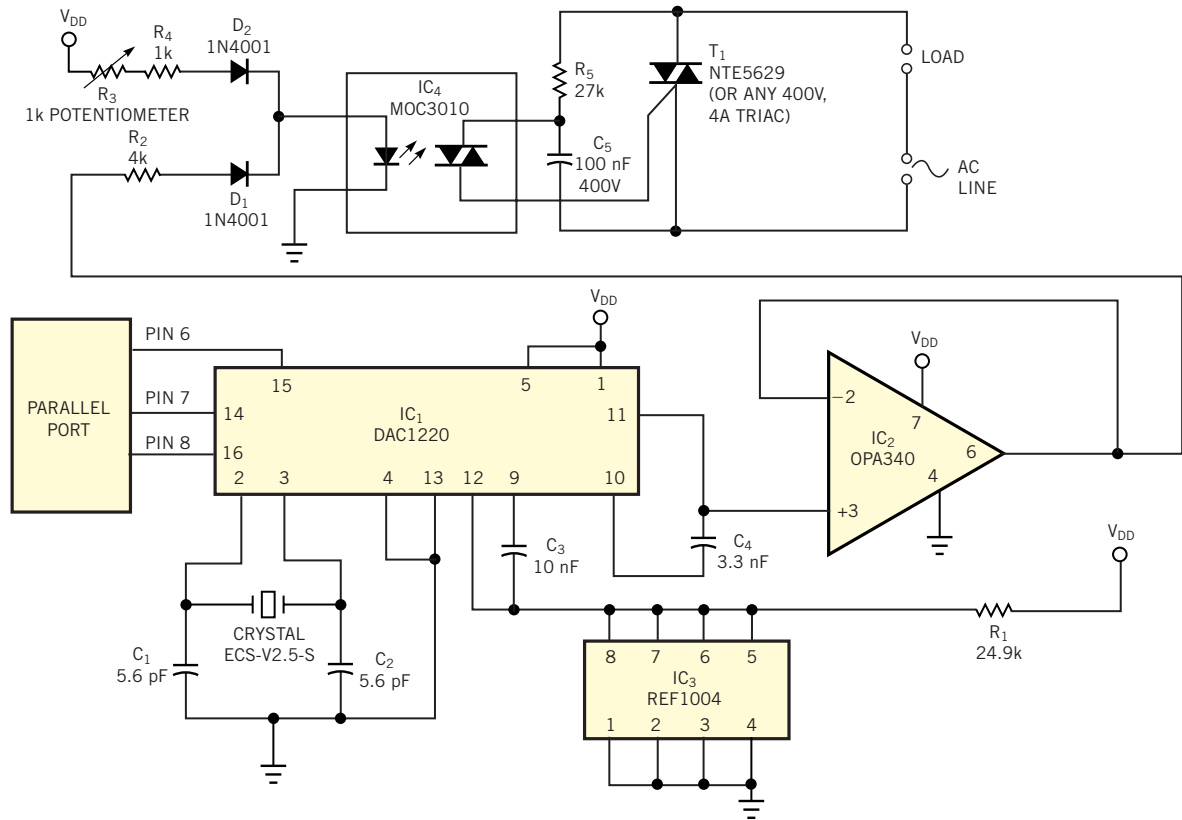


Figure 1



Set your computer area's lighting intensity from the comfort of your swivel chair, using keyboard commands. A simple Pascal routine and some low-cost components do the trick.