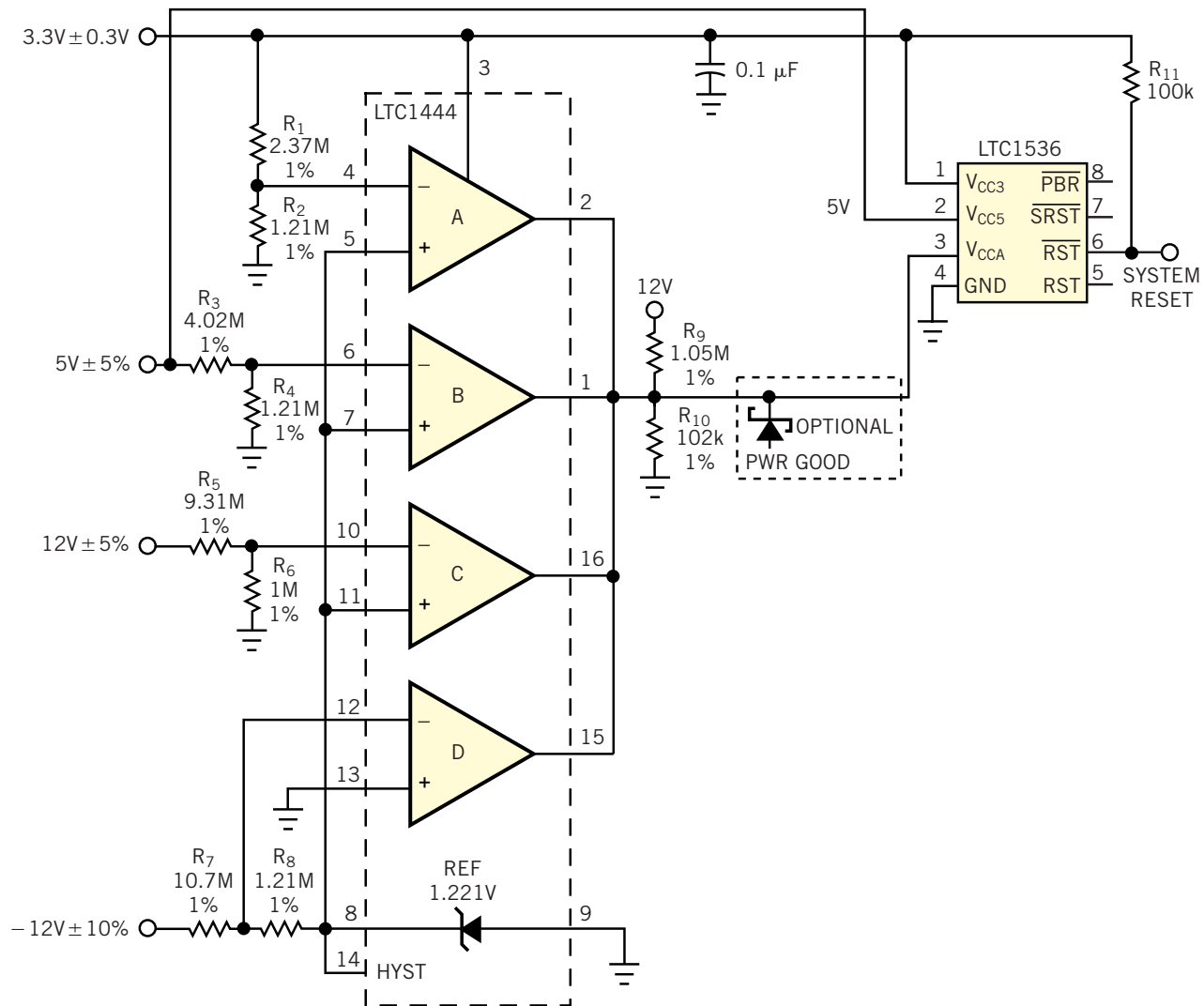


Figure 1



Two ICs monitor PCI-system quad supplies for undervoltage and overvoltage fault conditions.