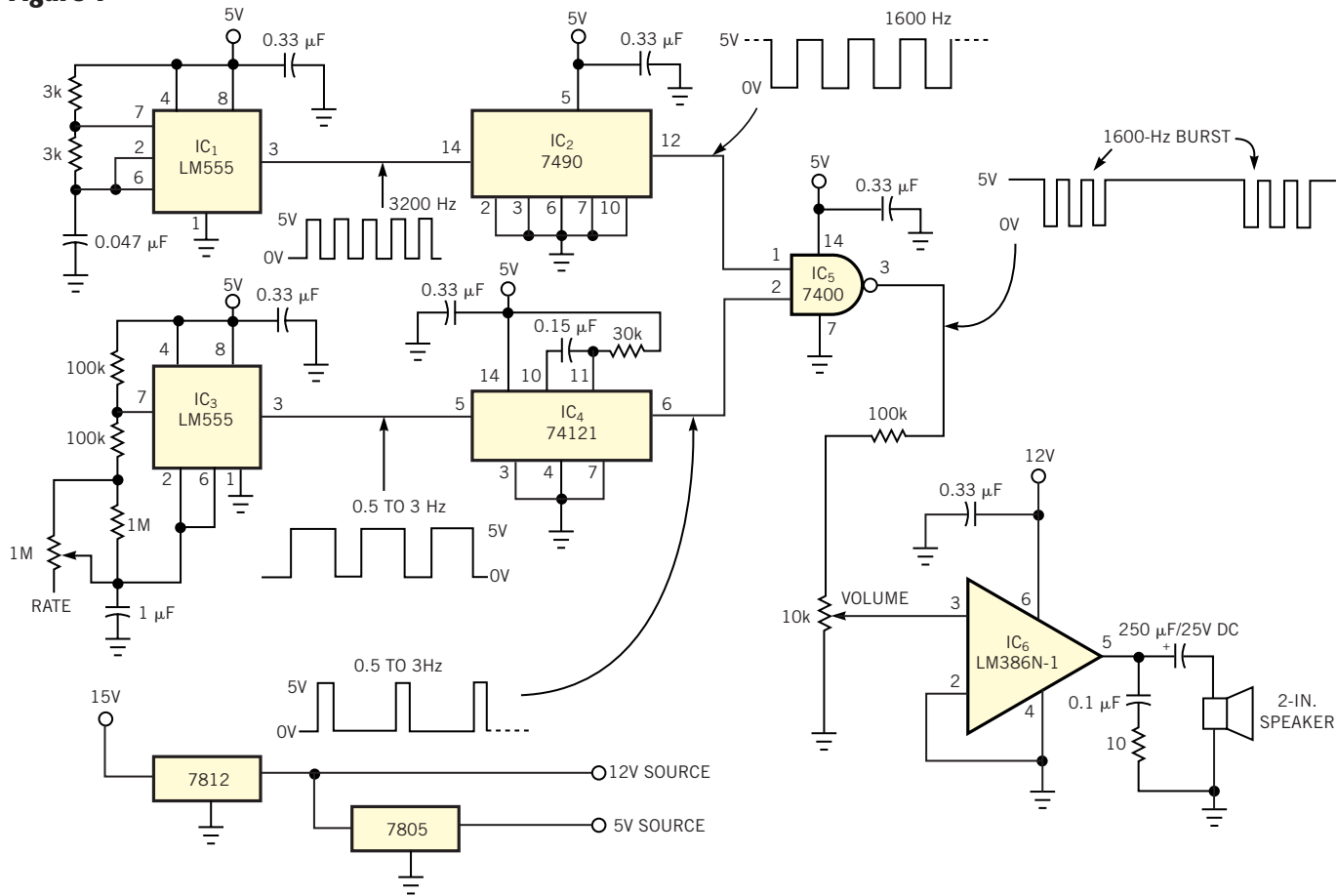


**Figure 1**



**Sounding just like an old-fashioned metronome, this circuit sets the cadence for your music practice.**